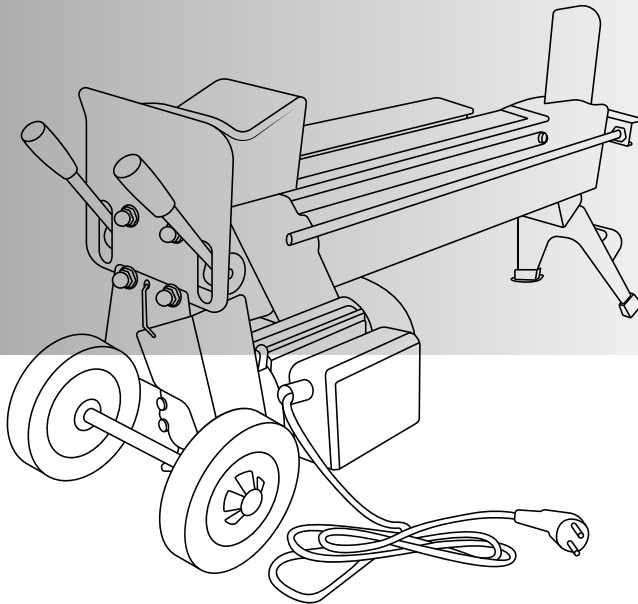
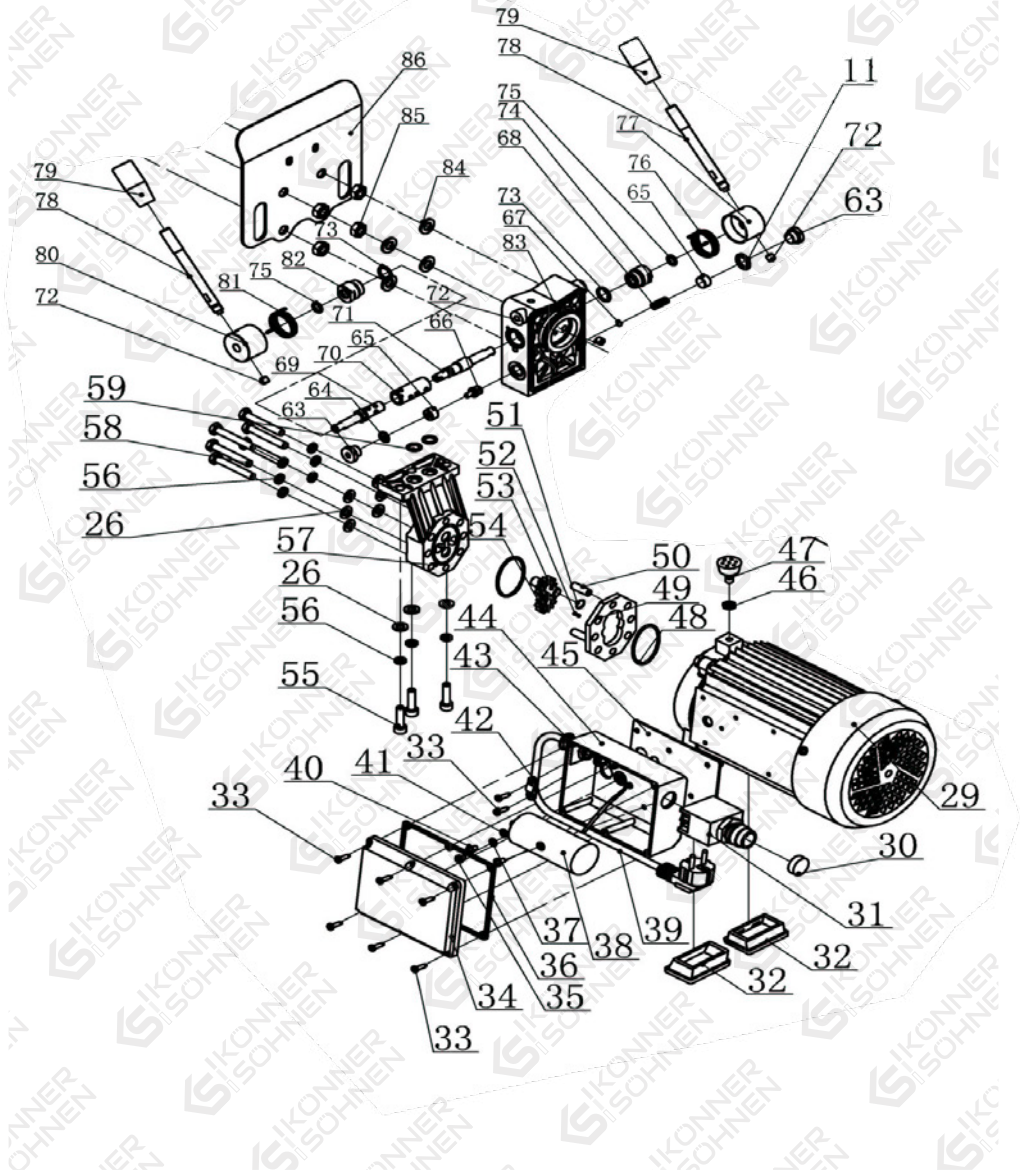


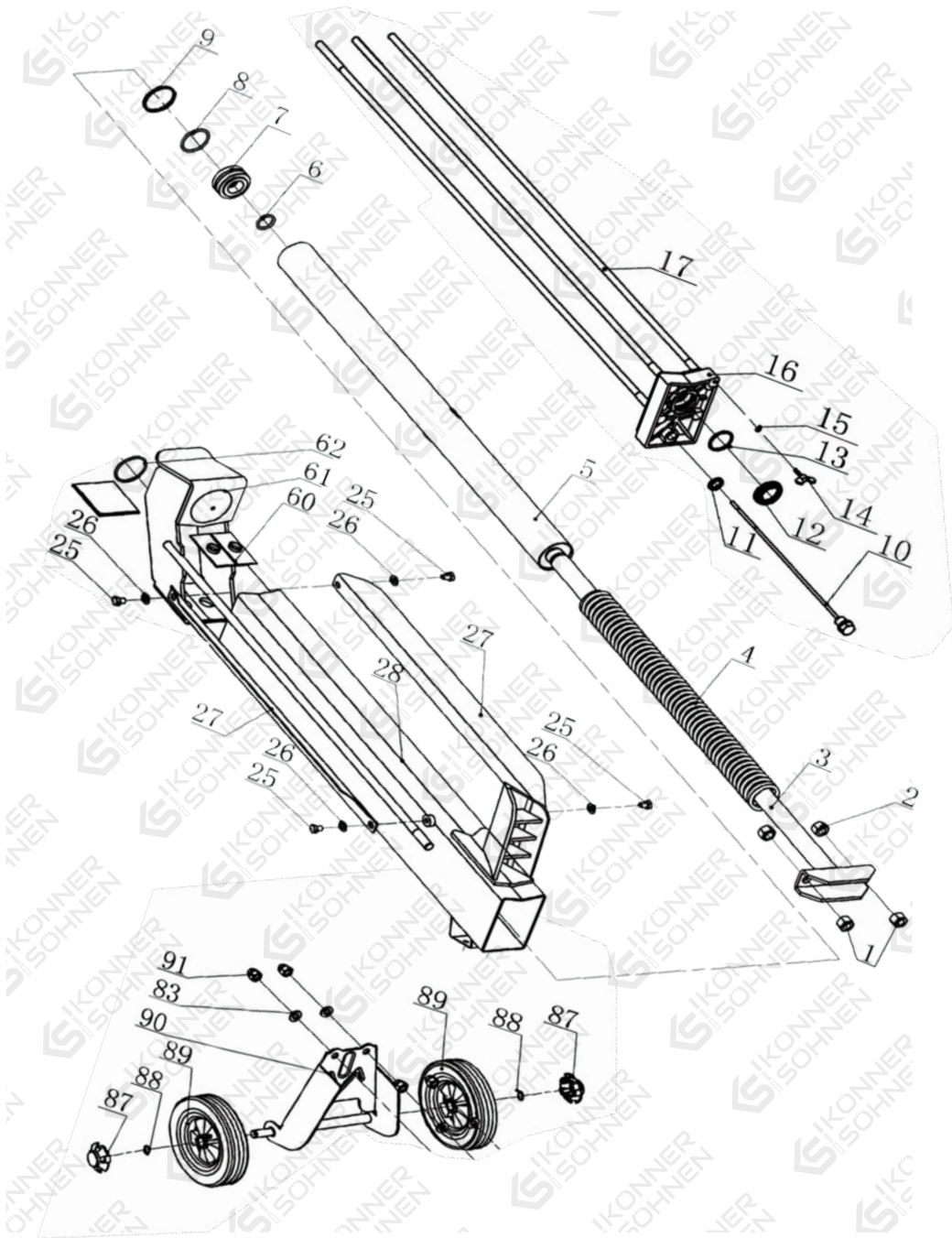
ELECTRIC LOG SPLITTER EXPLODED VIEW

KS 7THE 52/30



TRADITIONELLE DEUTSCHE QUALITÄT





No	REF. No	DESCRIPTION	QTY
1	KS 7THE 52/30-1	Nut M14	2
2	KS 7THE 52/30-2	Hexagonal nut M14	2
3	KS 7THE 52/30-3	Hammer ram	1
4	KS 7THE 52/30-4	Spring	1
5	KS 7THE 52/30-5	Cylinder	1
6	KS 7THE 52/30-6	O-ring oil seal 25x3.55	1
7	KS 7THE 52/30-7	Piston	1
8	KS 7THE 52/30-8	O-ring oil seal 43.7x3.55	1
9	KS 7THE 52/30-9	O-ring 55	1
10	KS 7THE 52/30-10	Dip stick	1
11	KS 7THE 52/30-11	O-ring oil seal 14	2
12	KS 7THE 52/30-12	DH dustproof seal DH30	1
13	KS 7THE 52/30-13	O-ring oil seal 30x2.65	1
14	KS 7THE 52/30-14	Bleed screw	1
15	KS 7THE 52/30-15	O-ring oil seal 8x1.9	1
16	KS 7THE 52/30-16	Oil cylinder cover	1
17	KS 7THE 52/30-17	Screw stud M10	4
18	KS 7THE 52/30-18	Supporting foot cover	2
19	KS 7THE 52/30-19	Philips screw M6x20	2

No	REF. No	DESCRIPTION	QTY
20	KS 7THE 52/30-20	Gasket 6	6
21	KS 7THE 52/30-21	Carrying handle	1
22	KS 7THE 52/30-22	Supporting foot	1
23	KS 7THE 52/30-23	Nut M6	4
24	KS 7THE 52/30-24	Screw M6x12	2
25	KS 7THE 52/30-25	Screw M8x12	4
26	KS 7THE 52/30-26	Gasket 8	13
27	KS 7THE 52/30-27	Log guiding plate	2
28	KS 7THE 52/30-28	Main body	1
29	KS 7THE 52/30-29	Electric Motor	1
30	KS 7THE 52/30-30	Switch dust shield	1
31	KS 7THE 52/30-31	Switch	1
32	KS 7THE 52/30-32	Rubber support for motor	2
33	KS 7THE 52/30-33	Nut M4x16	8
34	KS 7THE 52/30-34	Switch case cover	1
35	KS 7THE 52/30-35	Philips screw M5x6	1
36	KS 7THE 52/30-36	Waterproof seal for switch case	1
37	KS 7THE 52/30-37	Spring washer 5	1
38	KS 7THE 52/30-38	Capacitor	1

No	REF. No	DESCRIPTION	QTY
39	KS 7THE 52/30-39	Cord	1
40	KS 7THE 52/30-40	Philips screw M5x8	3
41	KS 7THE 52/30-41	Gasket 5	4
42	KS 7THE 52/30-42	Cord pressed plate	1
43	KS 7THE 52/30-43	Faucet	1
44	KS 7THE 52/30-44	Switch case	1
45	KS 7THE 52/30-45	Waterproof seal for switch case	1
46	KS 7THE 52/30-46	Hexagonal nut (thin) M8	1
47	KS 7THE 52/30-47	Motor supporting (up)	1
48	KS 7THE 52/30-48	O-ring oil seal 50x2.4	2
49	KS 7THE 52/30-49	Gear chamber	1
50	KS 7THE 52/30-50	Fixing pin	2
51	KS 7THE 52/30-51	Gasket for axle 11	2
52	KS 7THE 52/30-52	Column pin 2.5	1
53	KS 7THE 52/30-53	Gear axle	1
54	KS 7THE 52/30-54	Gear	2
55	KS 7THE 52/30-55	Inner hexagonal nut M8x30	3
56	KS 7THE 52/30-56	Washer 8	9
57	KS 7THE 52/30-57	Oil pump cover	1

No	REF. No	DESCRIPTION	QTY
58	KS 7THE 52/30-58	Bolt M8x55	6
59	KS 7THE 52/30-59	O-ring oil seal 16x2.4	2
60	KS 7THE 52/30-60	Plastic slide	2
61	KS 7THE 52/30-61	Log pusher	1
62	KS 7THE 52/30-62	O-ring seal oil 55x3.1	1
63	KS 7THE 52/30-63	Nut for outer valve	2
64	KS 7THE 52/30-64	O-ring oil seal 14x1.9	1
65	KS 7THE 52/30-65	Nut for inner valve	2
66	KS 7THE 52/30-66	Valve fixer	1
67	KS 7THE 52/30-67	Steel ball for valve $\varnothing 6$	1
68	KS 7THE 52/30-68	Adjustable pressure spring	1
69	KS 7THE 52/30-69	Valve core (right)	1
70	KS 7THE 52/30-70	Valve cover	1
71	KS 7THE 52/30-71	Valve core (left)	1
72	KS 7THE 52/30-72	Fixing screw M8x8	3
73	KS 7THE 52/30-73	O-ring oil seal 20x2.4	2
74	KS 7THE 52/30-74	Nut (left)	1
75	KS 7THE 52/30-75	O-ring oil seal 14x2.4	2

No	REF. No	DESCRIPTION	QTY
76	KS 7THE 52/30-76	Handle fixer spring (left)	1
77	KS 7THE 52/30-77	Handle fixer (left)	1
78	KS 7THE 52/30-78	Handle bar	2
79	KS 7THE 52/30-79	Handle bar cover	2
80	KS 7THE 52/30-80	Handle fixer (right)	1
81	KS 7THE 52/30-81	Handle fixer spring (right)	1
82	KS 7THE 52/30-82	Nut (right)	1
83	KS 7THE 52/30-83	Valve	1
84	KS 7THE 52/30-84	Gasket 10	8
85	KS 7THE 52/30-85	Hexagonal nut M10	4
86	KS 7THE 52/30-86	Handle protector	1
87	KS 7THE 52/30-87	Axle cover	2
88	KS 7THE 52/30-88	Gasket for axle 11	2
89	KS 7THE 52/30-89	Wheel	2
90	KS 7THE 52/30-90	Wheel frame	1
91	KS 7THE 52/30-91	Cover nut	4

CONTACTS

Germany

ks-power.de

info@dimaxgroup.de

Poland

ks-power.pl

info.pl@dimaxgroup.de

Ukraine

ks-power.com.ua

sales@ks-power.com.ua

Russia

ks-power.ru

info@ks-power.ru